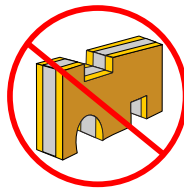




# EXPRESSHEADER— Installation Details

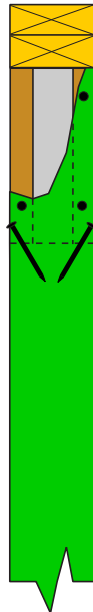
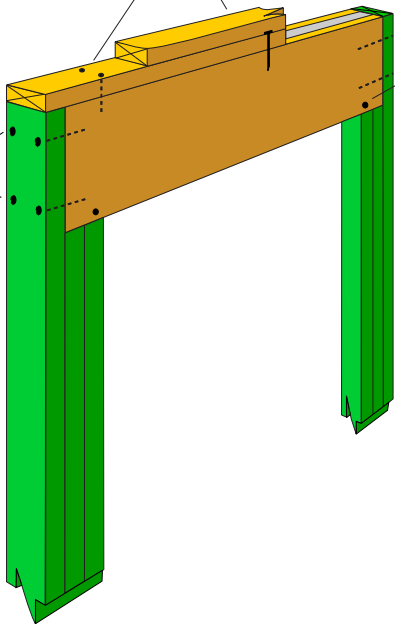


Never cut, drill,  
or notch the  
ExpressHeader.

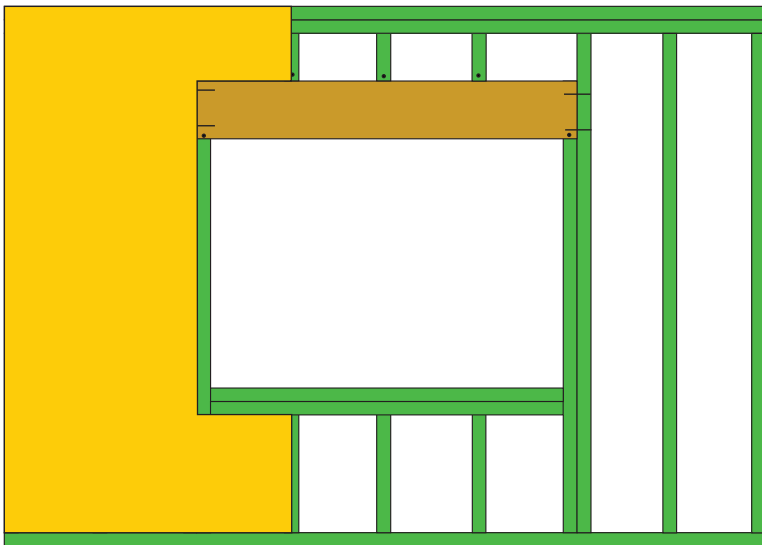
Use 10d nails  
for lateral support  
24" on center.

Nail (1) 10d nail  
into the top &  
bottom of each  
piece of LVL.

Nail (1) 10d nail into  
the trimmers on both  
sides.

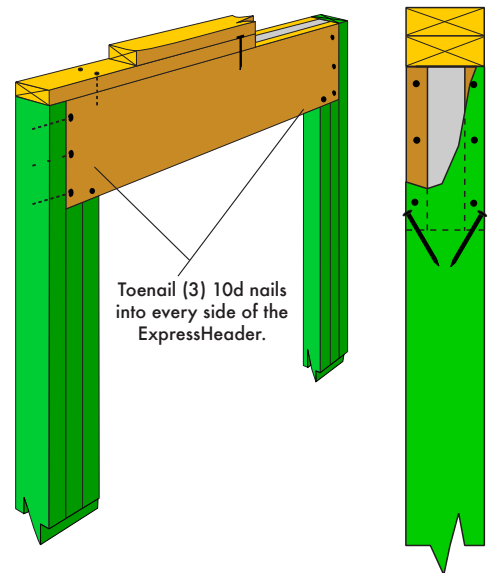


3-1/2" pictured above.



Nail for lateral support at bearing as indicated. Use 10d nails.

## Toenailing Option



Toenail (3) 10d nails  
into every side of the  
ExpressHeader.



OT TM PO Md%

bbb X PT XL T  
T N X