



INSTRUCTION MANUAL



**TAMKO**  
BUILDING PRODUCTS

**TABLE OF CONTENTS:**

PREPARATION & TOOL CHECKLIST .....2  
STRAIGHT RAIL INSTALL INSTRUCTIONS .....3  
STAIR RAIL INSTALL INSTRUCTIONS .....5  
POST MOUNT INSTALLATION WOOD/COMPOSITE .....7  
POST MOUNT INSTALLATION CONCRETE .....8



For assistance, information regarding, or to receive a copy of TAMKO's Limited Warranty, contact us at 1-800-641-4691 or visit us online at [tamko.com](http://tamko.com).

# PREPARATION & TOOL CHECKLIST

## BEFORE YOU BEGIN:

### IMPORTANT PRODUCT SAFETY AND PRE-INSTALLATION INFORMATION

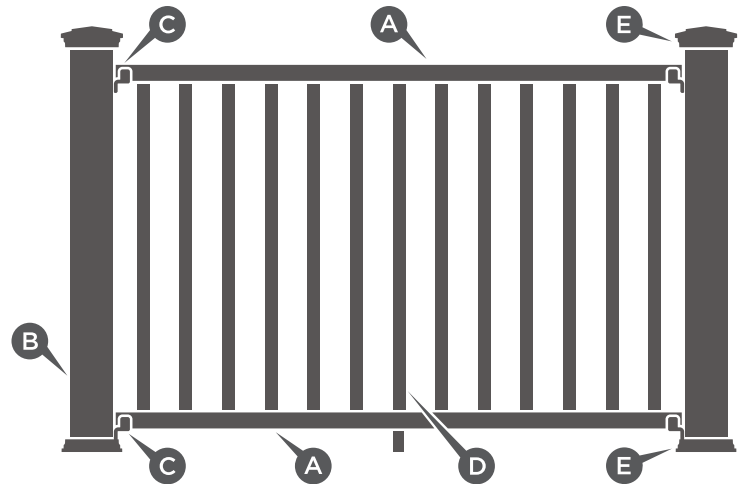
**FAILURE TO FOLLOW THESE INSTRUCTIONS MAY LEAD TO AN UNSAFE PRODUCT AND WILL ADVERSELY AFFECT COVERAGE UNDER THE LIMITED WARRANTY.** The following installation instructions are provided to guide you through the installation process of the Marquee™ Railing System. TAMKO® Building Products, Inc. shall not be held liable for improper or unsafe installations. TAMKO recommends that all designs be reviewed by a licensed architect, engineer or local building official before installation to ensure that they are safe and in compliance with local building code requirements.

## COMPONENTS NEEDED TO INSTALL ONE MARQUEE RAIL SECTION:

### KIT SELECTION GUIDE:

Customizing the look of a Marquee Railing System is simple. Just select at least one of each component kit\* listed below to add style and distinction.

- A** **STRAIGHT/STAIR RAILS**
  - 6-Foot or 8-Foot Straight Rail Kit
  - 6-Foot Stair Rail Kit
  - Contents: (2) Pre-routed Rails and (1) Crush Block (no crush block in Stair Rail Kit)
  
- B** **POST KITS**
  - 5" x 5" x (48" or 120") Post Sleeve
  - Contents: (1) Post Sleeve and Wood Post Spacer
  - 5" x 5" x (38" or 44") Wood Post Mount Kit
  - 5" x 5" x (38" or 44") Concrete Post Mount Kit
  - Contents: See page 7-10 for full details.
  
- C** **BRACKETS**
  - Straight Bracket Kit
  - Stair Bracket Kit
  - Contents: (4) Brackets and (1) Rail Screw Pack
  - Multi-Angle (Left) Bracket Kit
  - Multi-Angle (Right) Bracket Kit
  - Contents: (2) Brackets and (1) Multi-Angle Screw Pack



- D** **BALUSTERS**
  - 36-Inch or 42-Inch Baluster Kits (6-Foot section)
  - Contents: (13) Square Balusters
  - 36-Inch or 42-Inch Baluster Kits (8-Foot section)
  - Contents: (18) Square Balusters
  
- E** **POST CAPS AND RINGS**
  - 5" x 5" Post Cap
  - 5" x 5" Post Ring

\*Note: each component kit is sold separately. Kit types and quantities vary by application.

**SUBSTITUTION FOR THESE COMPONENTS IS NOT ALLOWED AS SUBSTITUTING COMPONENTS COULD CAUSE A SAFETY HAZARD.**

## MEASURE SPAN BETWEEN POSTS:

Marquee Rail Kits are designed for 6' or 8' lengths from center-to-center of posts. TAMKO recommends verifying the span between posts before beginning installation.

## TOOLS REQUIRED FOR INSTALLATION:

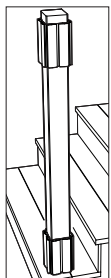
Safety glasses, hearing protection, tape measure, miter saw or hack saw, drill, #2 square drive bit and level. For larger construction projects, a miter saw and drill are strongly recommended for quicker installation.

# STRAIGHT RAIL INSTALL INSTRUCTIONS

## INSTALLATION STEPS:

- 1 Install and prepare posts or other mounting surfaces for Marquee™ Railing installation. Ensure mounting surfaces are level and plumb. **(Fig. 1)** TAMKO® recommends using Marquee Post Mount systems or wood posts covered with our matching Marquee Post Sleeve and Marquee Wood Post Spacers.

### TO INSTALL MARQUEE POST SLEEVE WITH A NOMINAL 4" X 4" WOOD POST:



- 1 Slide the first Marquee Wood Post Spacer over the 4" x 4" wood post and secure in place flush with the deck surface using the screw provided.
- 2 Next, slide the second Marquee Wood Post Spacer over the 4" x 4" wood post and secure in place 29-1/2" above the deck surface for a 36" rail height, or 35-1/2" for a 42" rail height.
- 3 Finally, place the Marquee Post Ring on the bottom of the Marquee Post Sleeve and slide post sleeve over the wood post.

**IMPORTANT:** Use of the Marquee Wood Post Spacer is required for 4" x 4" wood post applications. Failure to follow these instructions may lead to an unsafe product and will adversely affect coverage under the Limited Warranty.

To install the Marquee Post Mount Kit, see the full post mount instructions on pages 7-10.

- 2 Measure the length between posts and confirm which Marquee Railing Kit is required **(Fig. 2)**

### Marquee Railing Kit Lengths:

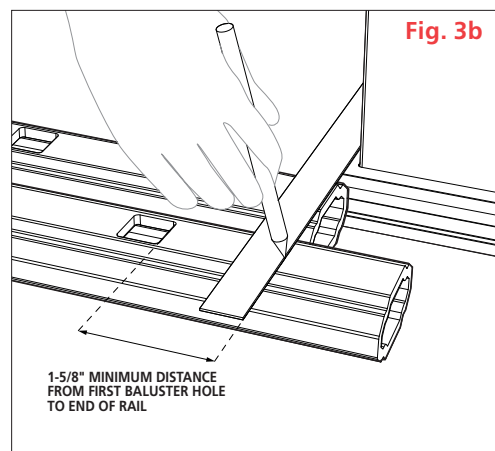
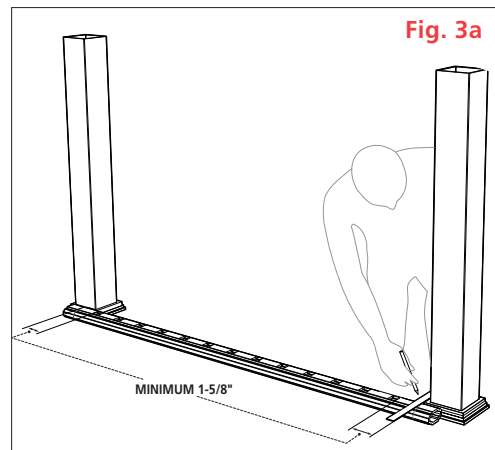
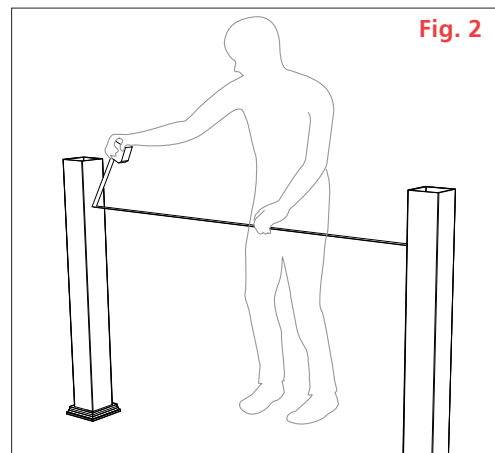
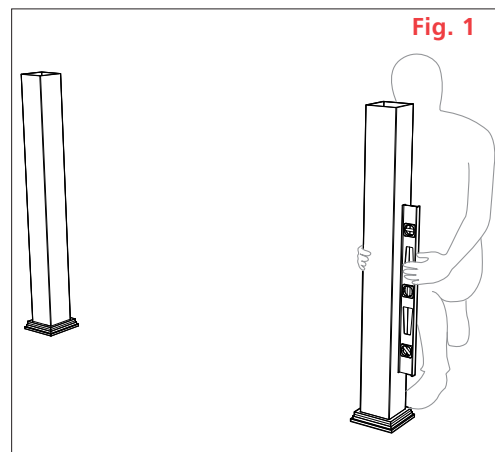
Nominal Rail Length	6'	8'
Actual Rail Length	67"	91"

- 3 Lay the bottom rail beside the post sleeves with the pre-routed baluster holes facing upward and evenly spaced. The rails should extend past the post sleeves on each side. Mark both ends of the rail where they cross the post sleeve. **(Fig. 3a)**

**IMPORTANT:** A minimum of 1-5/8" rail length is required from the end of rail to first baluster on both ends of the rail. Check end spacing and shift the position of the rail before cutting if required. Ensure that the gap between posts and balusters will not exceed 4".

When positioned and marked properly cut the bottom rail.

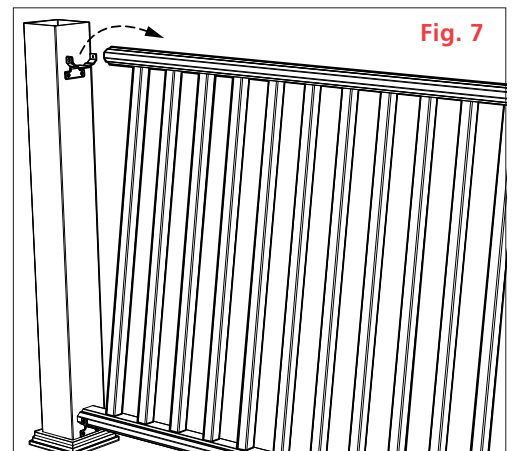
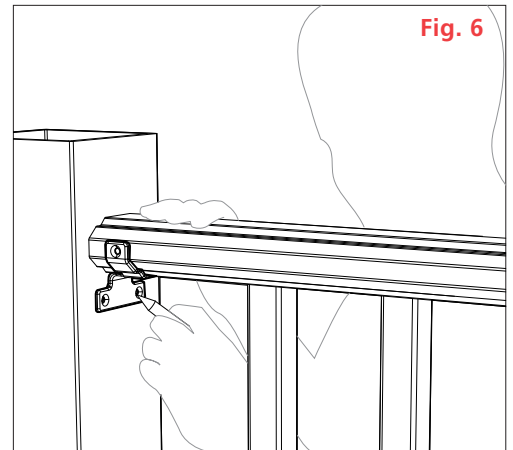
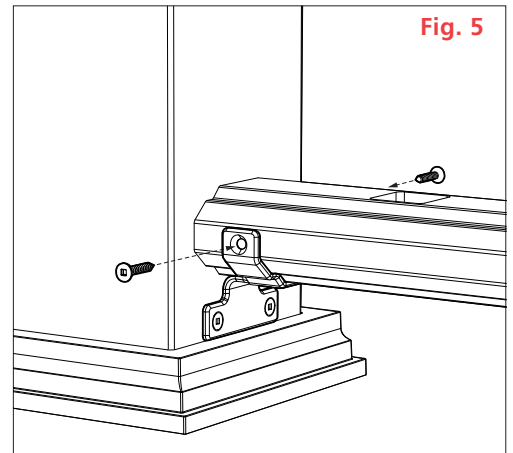
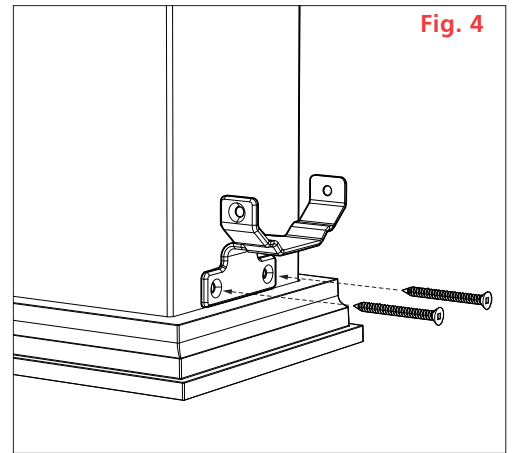
- 4 Lay the top rail beside the bottom rail with the pre-routed baluster holes aligned. Mark and cut the top rail to match the bottom rail length and end spacing. **(Fig. 3b)**
- 5 To install the bottom rail brackets, place the bottom of the bracket on the top edge of the Marquee Post Ring and center on post. Secure in place using two of the screws provided in the Marquee Straight Bracket Kit. Use 2" screws when mounting to a wood post or the 1-1/4" screws when mounting to Marquee Post Mount. Repeat on post at opposite end of rail section. **(Fig. 4)**



- 6 Attach the crush block included with the Marquee Rail Kit on the underside of the bottom rail using the screw provided with the crush block. Adjust the crush block to the proper height and secure in position by installing the color-matched screw into the side of the crush block.

**NOTE: Be sure to check with your local building code officials for any bottom rail clearance or rail height requirements.** Improper rail clearance or rail height could cause a safety hazard.

- 7 Insert bottom rail into the bottom rail brackets, making sure the rail is level. Secure the bottom rail in place by installing two self-drilling 1" screws provided in the Marquee Straight Bracket Kit on each side of the brackets. **(Fig. 5)**
- 8 Insert balusters into pre-routed holes on the bottom rail, making sure each one is fully nested.
- 9 Align the top rail over the balusters and install one at a time into the pre-routed holes. Ensure the top rail is fully nested and level with the bottom rail. Position the top rail brackets on the rail, center the bracket on the post and mark the bracket locations on each post. **(Fig. 6)**
- 10 Remove the brackets from rail. Tilt the rail outward from the post slightly to expose the face of the post. Reposition the top rail brackets at the marked locations on each post and install with screws provided in the Marquee Straight Bracket Kit. Use 2" screws when mounting to a wood post or the 1-1/4" screws when mounting to Marquee Post Mount. **(Fig. 7)** Repeat on post at opposite end of rail section.
- 11 Slide the top rail into the top rail brackets and secure in place by installing two self-drilling 1" screws provided in the Marquee Straight Bracket Kit on each side of the brackets.
- 12 Attach the post cap using PVC adhesive.

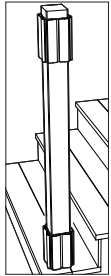


# STAIR RAIL INSTALL INSTRUCTIONS

## INSTALLATION STEPS:

- 1 Install and prepare posts or other mounting surfaces for Marquee™ Railing installation. Ensure mounting surfaces are level and plumb. **(Fig. 1)** TAMKO® recommends using Marquee Post Mount systems or wood posts covered with our matching Marquee Post Sleeve and Marquee Wood Post Spacers.

### TO INSTALL MARQUEE POST SLEEVE WITH A NOMINAL 4" X 4" WOOD POST:



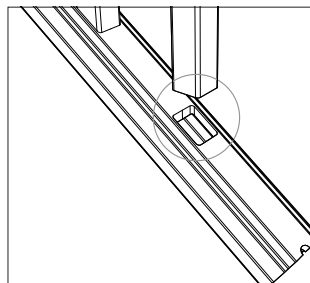
- 1 Slide the first Marquee Wood Post Spacer over the 4" x 4" wood post and secure in place flush with the deck surface using the screw provided.
- 2 Next slide the second Marquee Wood Post Spacer over the 4" x 4" wood post and secure in place 29-1/2" above the deck surface for a 36" rail height, or 35-1/2" for a 42" rail height.
- 3 Finally, place the Marquee Post Ring on the bottom of the Marquee Post Sleeve and slide post sleeve over the wood post.

**IMPORTANT:** Use of the Marquee Wood Post Spacer is required for 4" x 4" wood post applications. Failure to follow these instructions may lead to an unsafe product and will adversely affect coverage under the Limited Warranty.

To install the Marquee Post Mount Kit, see the full post mount instructions on pages 7-10.

- 2 Lay the bottom rail beside the posts with the notched end of the rail on the lower end of the stair section, pre-routed baluster holes facing upward. **(Fig. 2)** The rail should extend past the post sleeves on each side. Mark both ends of the rail where they cross the post sleeve.

**NOTE:** Routed baluster holes are angled and must be installed with the notched end of the rail in the proper direction. For the bottom rail, **be sure the notched end of the rail is on the lower end of the stair section.**



**IMPORTANT:** A minimum of at least 2-1/2" rail length is required from the end of rail to the first baluster on both ends of the rail. Check to make sure end spacing is even; if required, shift the position of the rail before cutting. Ensure that the gap between posts and balusters will not exceed 4".

When marked properly, cut the bottom rail.

- 3 To install the bottom rail brackets, position the bottom rail between posts at the desired height and angle, being sure to leave at least 2" clearance from the stair treads. Hold the bracket in place on the rail so that it is centered on the post and mark the locations on the post. **(Fig. 3)**

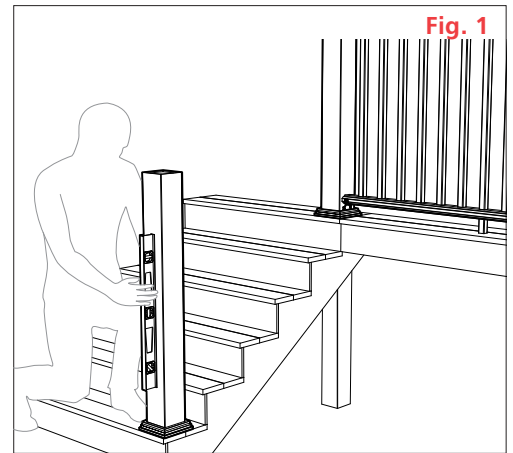


Fig. 1

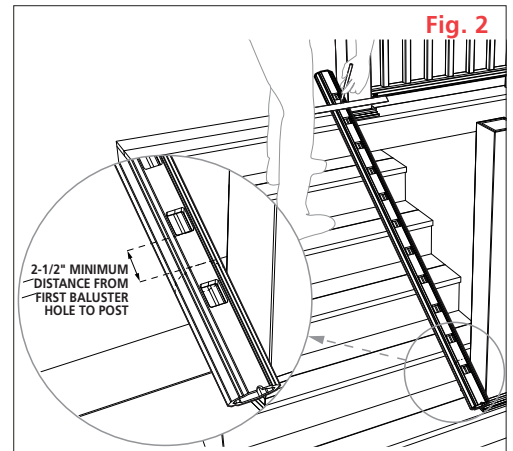


Fig. 2

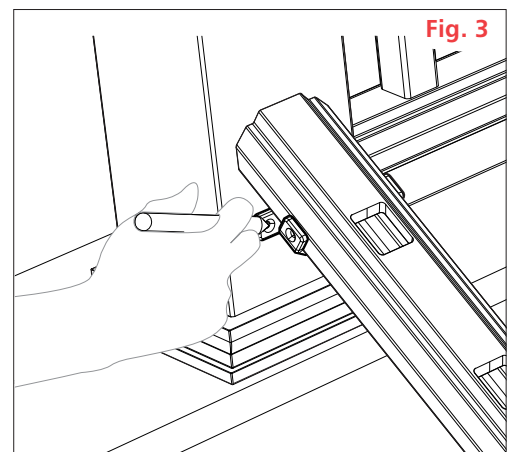


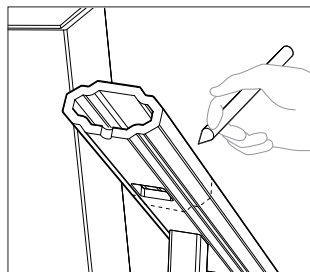
Fig. 3

- 4 Set the bottom rail to the side. Position the bracket at marked location and secure using two of the screws provided in the Marquee Stair Bracket Kit. Use 2" screws when mounting to a wood post or the 1-1/4" screws when mounting to Marquee Post Mount. Repeat on post at opposite end of rail section.

- 5 Insert bottom rail into the brackets, making sure the rail is level at desired angle. Secure the bottom rail in place by installing two self-drilling 1" screws provided in the Marquee Stair Bracket Kit on each side of the brackets. Repeat on post at opposite end of rail section. (Fig. 4)

- 6 Insert a baluster into the first and last pre-routed holes of the bottom rail, making sure each one is fully nested. Align the top rail over the balusters and install into the pre-routed holes, with the notched end of the rail at the upper end of the stair section. The rail should extend past the post sleeves on each side. Use a level on the balusters to ensure they are vertical. (Fig. 5) Mark both ends of the rail where they cross the post sleeve.

NOTE: Because the pre-routed baluster holes are angled, be sure the notched end of the top rail is on the upper end of the rail section. This is opposite of the bottom rail.



- 7 After the top rail is properly marked, remove it from the stair section and cut the top rail.

- 8 Install the remaining balusters into the pre-routed baluster holes on the bottom rail, making sure each one is fully nested.

- 9 Align the top rail over the balusters and install one at a time into the pre-routed holes. Ensure the top rail is fully nested and level with the bottom rail at the desired angle. Position the top rail brackets on the rail, center the bracket on the post and mark the bracket locations on each post. (Fig. 6)

- 10 Remove the brackets from rail. Tilt the rail outward from the post slightly to expose the face of the post. Reposition the top rail brackets at the marked locations on each post and install with screws provided in the Marquee Stair Bracket Kit. (Fig. 7) Use 2" screws when mounting to a wood post or the 1-1/4" screws when mounting to Marquee Post Mount. Repeat on post at opposite end of rail section.

- 11 Slide the top rail into the top rail brackets and secure in place by installing two self-drilling 1" screws provided in the Marquee Stair Bracket Kit on each side of the brackets.

- 12 Attach the post cap using PVC adhesive.

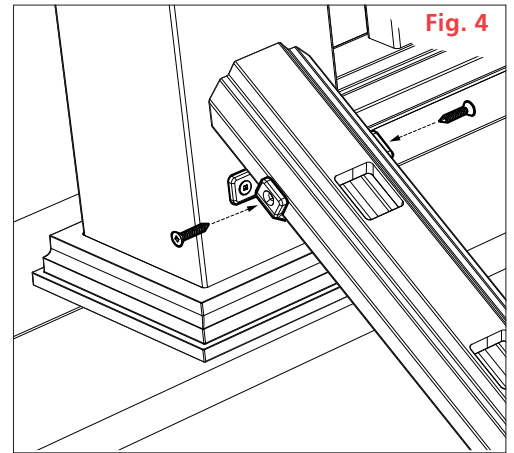


Fig. 4

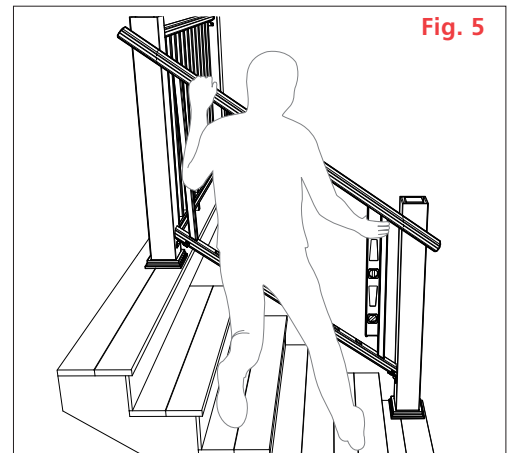


Fig. 5

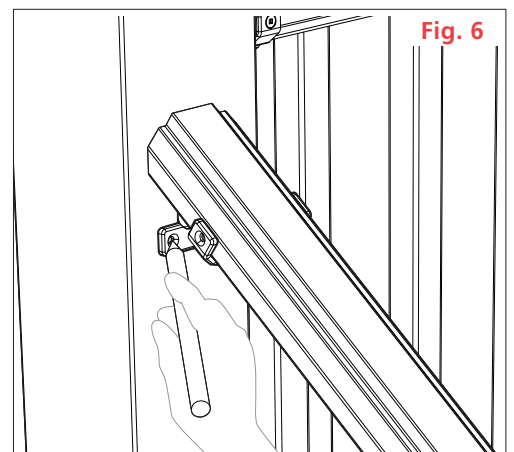


Fig. 6

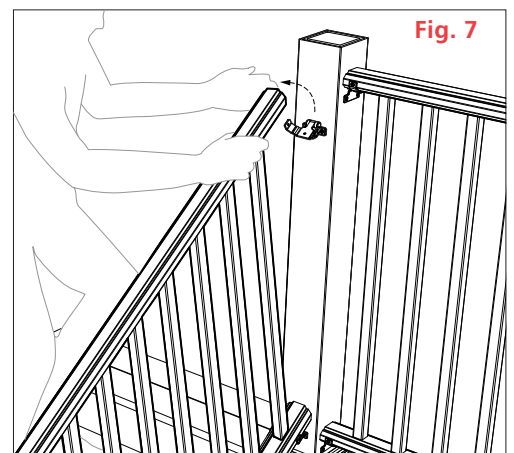


Fig. 7

# POST MOUNT INSTALLATION WOOD/COMPOSITE APPLICATION

Marquee™ Wood/Composite Post Mount Kit 5" x 5" x 38" for use with all Marquee 6' and 8' Railing Kits at 36" Rail Heights  
Marquee Wood/Composite Post Mount Kit 5" x 5" x 44" for use with all Marquee 6' and 8' Railing Kits at 42" Rail Heights

## COMPONENTS:

### POST MOUNT COMPONENTS:

- ▶ Post Mount Member (1)
- ▶ Guide Blocks (2)

### WOOD ACCESSORY KIT:

- ▶ 3/4" Self-Drilling Guide Block Screws (4)
- ▶ Leveling Plate (1)
- ▶ 5/16" x 1" Leveling Bolts (4)
- ▶ 5/16" Washers (8)
- ▶ Back Plate (1)
- ▶ 5/16" x 6" Mounting Bolts (4)
- ▶ 5/16" Mounting Nuts (4)

**SUBSTITUTION FOR THESE COMPONENTS IS NOT ALLOWED AS SUBSTITUTING COMPONENTS COULD CAUSE A SAFETY HAZARD.**

## TOOLS REQUIRED FOR INSTALLATION:

Safety glasses, hearing protection, tape measure, level, drill, 3/8" or 7/16" drill bit and wrench.

## INSTALLATION STEPS:

- 1** Reinforce post mount location by installing a minimum 3" of blocking under the mounting location. Cut blocking to the length of the joist span opening and secure with 3" deck screws or nails (not provided) directly under the deck surface.
- 2** Using the leveling plate as a template, mark the locations of the four mounting holes to be drilled. Drill four holes through the deck and blocking using a 3/8" or 7/16" diameter drill bit.
- 3** Install the four leveling bolts into the post mount member. Place the leveling plate on the decking surface and align over the four drilled holes. Place the post mount member on top of the leveling plate and align the four holes. Adjust the leveling screws to ensure the post mount member is level.
- 4** Install the four mounting bolts with washers as shown. On the underside, place the back plate over the exposed mounting bolts. (Use the centered holes for in-line applications and the offset holes for corner applications.) Secure the back plate by using the supplied mounting nuts and washers. **(Fig. A)**
- 5** Install the two guide blocks onto the post mount member. Position the lower guide block at the bottom of the post and secure in place by installing one of the supplied self-drilling screws through the center of the guide block and into the post until firmly seated. Position the upper guide block so that the top of the guide block is 1" above the top of the post member and secure in place by installing one of the supplied self-drilling screws through the center of the guide block and into the post until firmly seated.
- 6** Position the post ring over the post sleeve and slide over the post mount system until the post sleeve is flush to the deck surface. Attach the post cap to the post sleeve with PVC glue (not provided). To install a Marquee Straight or Stair Rail Kit to the Marquee Post Mount, use the 1-1/4" screws provided with Marquee Straight or Stair Bracket Kit. Refer to the Marquee Straight or Stair Rail Installation Instructions for details.

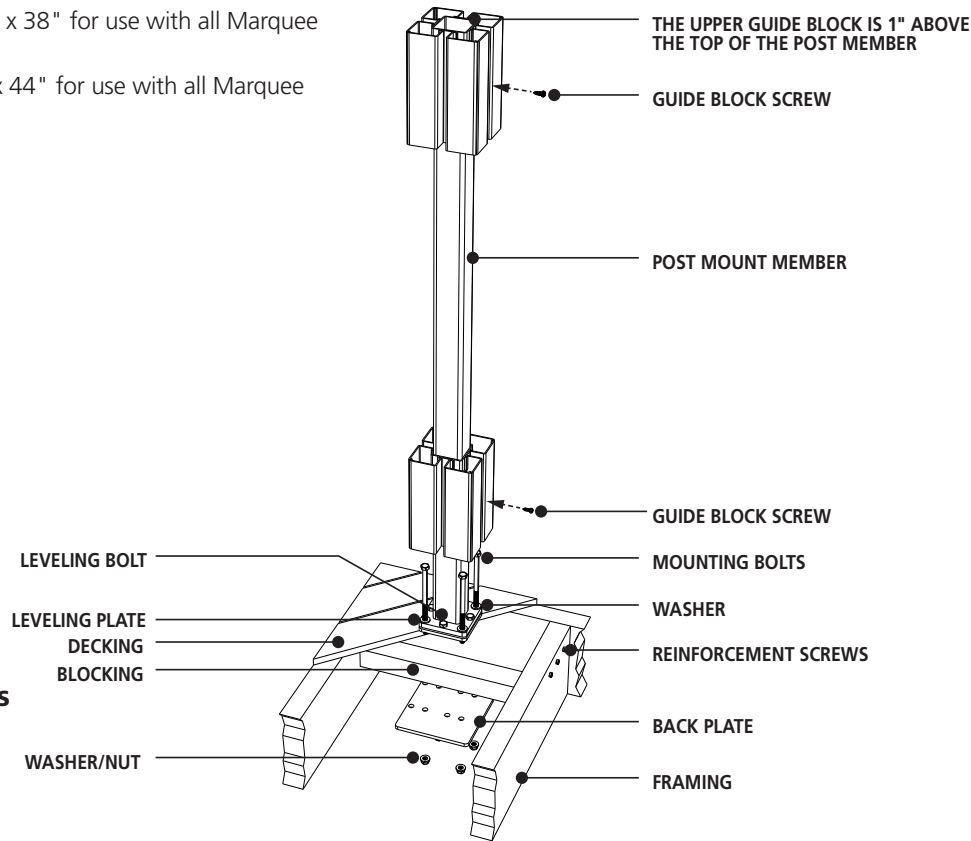
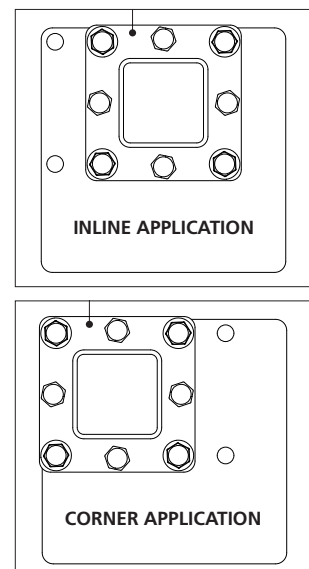


Fig. A





# POST MOUNT INSTALLATION CONCRETE APPLICATION

Marquee Concrete Post Mount Kit 5" x 5" x 38" for use with all Marquee 6' Railing Kits in 36" Rail Heights  
Marquee Concrete Post Mount Kit 5" x 5" x 44" for use with all Marquee 6' Railing Kits in 42" Rail Heights

## COMPONENTS:

### POST MOUNT COMPONENTS:

- ▶ Post Mount Member (1)
- ▶ Guide Blocks (2)

### CONCRETE ACCESSORY KIT:

- ▶ 5-1/2" x 5-1/2" Concrete Surface Plate (1)
- ▶ 3/8" x 2" Coated Hex Bolts (4)
- ▶ 3/8" Coated Lock Washers (4)
- ▶ 3/8" Coated Hex Nuts (4)
- ▶ 5/16" x 1" Leveling Bolts (4)
- ▶ 3/4" Self-drilling Guide Block Screws (4)

### CONCRETE ANCHORING SYSTEM:

- ▶ 3/8" x 5-1/8" Stainless Steel Threaded Rods (4)
- ▶ 3/8" Stainless Steel Washers (4)
- ▶ 3/8" Stainless Steel Nuts (4)
- ▶ Hilti HIT-RE 500-SD Adhesive, 11.1 oz. (1) (Hilti Dispenser Not Included)

**SUBSTITUTION FOR THESE COMPONENTS IS NOT ALLOWED AS SUBSTITUTING COMPONENTS COULD CAUSE A SAFETY HAZARD.**

## CONCRETE ANCHORS:

TAMKO® requires the use of the Hilti HIT-RE 500-SD adhesive anchoring system in the installation of this post mount. The anchoring system must be installed in accordance with Hilti HIT-RE 500-SD Instructions and ESR-2322. Concrete anchors must be installed in dry, normal weight concrete with a specified compressive strength of 2,500 psi to 8,500 psi. In addition, it is the installer's responsibility to ensure that the application and conditions for use of this post mount are in accordance with the Requirements and Limitations provided in Appendix A of these instructions. Failure to correctly anchor the post mount in accordance with the above requirements could result in a safety hazard.

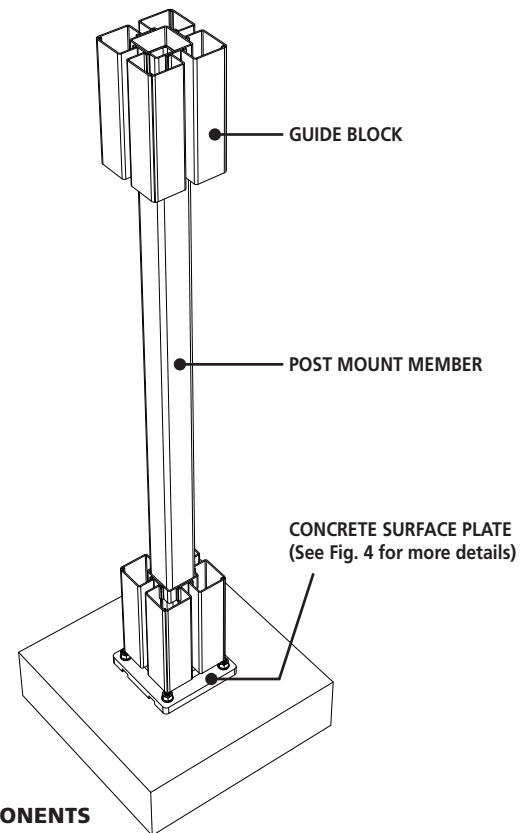
For more information regarding HIT-RE 500-SD adhesive anchoring, please contact Hilti at 1-800-879-8000 or visit [www.Hilti.com](http://www.Hilti.com).

## REQUIREMENTS FOR USE WITH MARQUEE 6' RAILING KITS:

Post Mount System	Minimum Concrete Thickness	Minimum Threaded Rod Embedment
38"	4-3/4"	3-1/2"
44"	5-1/4"	4"

## TOOLS REQUIRED FOR INSTALLATION:

Safety glasses, hearing protection, tape measure, round steel brush, compressed air, torque wrench, drill and Hilti MD 2000 or compatible Hilti dispenser.



## INSTALLATION STEPS:

- 1 Assemble the concrete surface plate to the bottom of the post mount member as shown using four of the supplied 2" coated hex bolts, 3/8" coated lock washers and coated 3/8" hex nuts. (Fig. 1) Tighten nuts to 33 ft-lb using a torque wrench. Ensure that the hex bolt heads are firmly seated inside the surface plate channels.
- 2 Determine the post mount location. Using the 5-1/2" x 5-1/2" concrete surface plate as a guide, ensure that the distance from the edge of the concrete to the edge of the surface plate is at least 4-1/4". (Fig. 2)

- 3 Mark the location of the four concrete surface plate corner holes for drilling. (Fig. 2)

**IMPORTANT:** Before continuing with installation the installer must review and ensure compliance with all Hilti HIT-RE 500-SD instructions and guidelines.

- 4 Drill four boreholes into the concrete to the required embedment depth using a hammer drill and 7/16" masonry drill bit. When drilling, check periodically to ensure boreholes remain plumb and aligned with all four of the concrete surface plate corner holes.

### REQUIRED EMBEDMENT DEPTH FOR THREADED RODS:

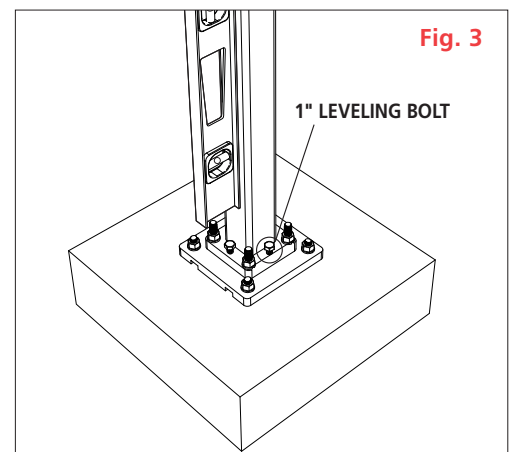
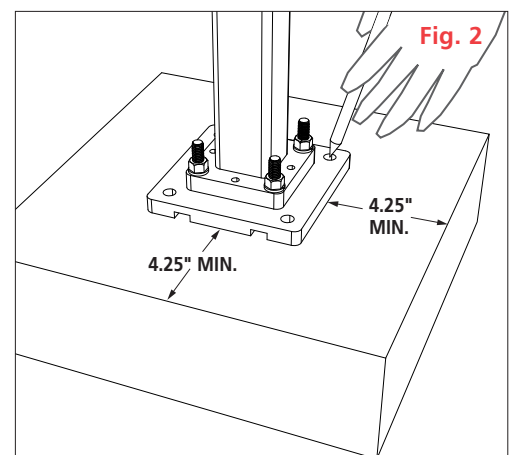
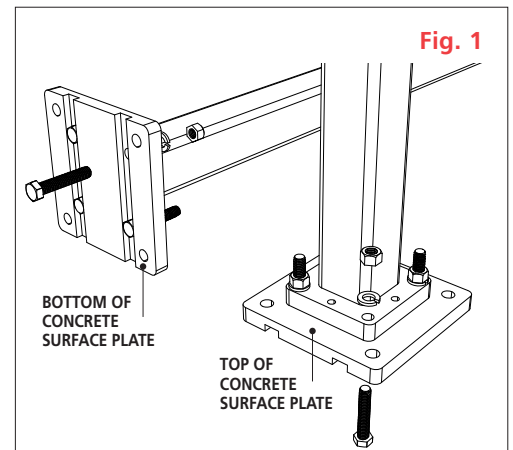
Marquee 38" Post Mount Kits: 3-1/2"

Marquee 44" Post Mount Kits: 4"

- 5 Properly clean all boreholes using a 7/16" round steel brush and compressed air (see Hilti HIT-RE 500-SD Instructions, Steps 2-4). Boreholes must be free of dust, debris, ice, oil, grease and other contaminants.
- 6 Prepare the HIT-RE 500-SD adhesive for use with a compatible Hilti dispenser and discard initial adhesive (see Hilti HIT-RE 500-SD Instructions, Steps 5-8).
- 7 Inject adhesive into the boreholes without forming air voids, starting from the bottom of each borehole and slowly withdrawing the dispenser. Fill holes approximately 2/3 full or as required to ensure that the annular gap between the threaded rod and concrete is completely filled (see Hilti HIT-RE 500-SD Instructions, Steps 9-10).
- 8 Insert the supplied threaded rods into the boreholes to the required depth, slowly twisting the rods as they are inserted (see Hilti HIT-RE 500-SD Instructions, Steps 11-13). Remove excess epoxy above the boreholes and ensure that the mounting surface remains clear of debris.

**IMPORTANT:** Once installed correctly, do not disturb the threaded rods until the appropriate setting time has elapsed. Do not install the post mount or apply load to the concrete anchors until the adhesive is fully cured. Follow the adhesive setting guidelines published in the Hilti HIT-RE 500-SD Instructions.

- 9 After the concrete anchors are fully cured, carefully position the post mount over the threaded rods and install flush onto the concrete surface.
- 10 Install four of the supplied stainless steel washers and nuts over the threaded rods and tighten nuts to 15 ft-lb using a torque wrench.
- 11 Check the post with a level. If the post needs to be adjusted for plumb, install four of the supplied 1" leveling bolts. (Fig. 3) Adjust the leveling bolts until post is plumb and all four leveling bolts are in contact with the concrete surface plate.



**NOTE:** It may be necessary to slightly loosen the coated hex nuts to allow the post mount member to be adjusted. **Do not adjust the stainless steel hex nuts used for concrete anchoring.** When post is level, reapply 33 ft-lb torque on coated hex nuts.

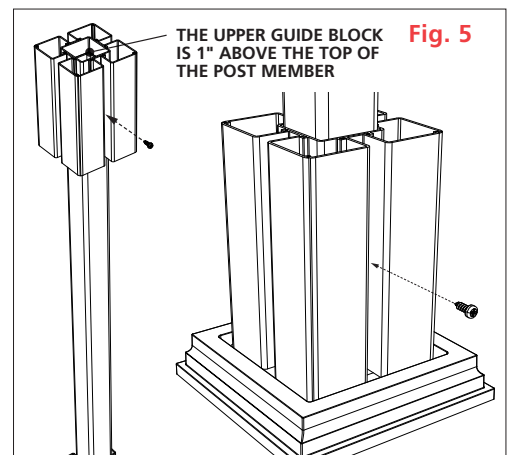
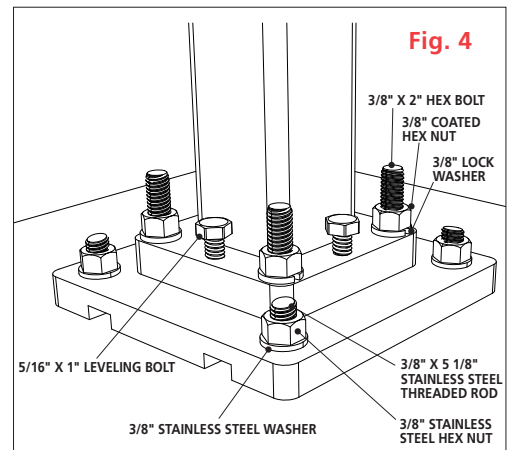
- 12** Install the post ring over the concrete surface plate.

**NOTE:** For 38" Post Mount Systems, a portion of the 5-1/8" threaded rods may need to be removed for proper post ring fit. If required, carefully trim the threaded rods ensuring that a minimum of three threads remain above each of the stainless steel nuts. **(Fig. 4)** Recheck and reapply the required torque on each of the hex nuts.

- 13** Install the two guide blocks onto the post mount member **(Fig. 5)**. Position the lower guide block at the bottom of the post and secure in place by installing one of the supplied self-drilling screws through the center of the guide block and into the post until firmly seated. Position the upper guide block so that the top of the guide block is 1" above the top of the post member and secure in place by installing one of the supplied self-drilling screws through the center of the guide block and into the post until firmly seated.

- 14** Trim the Marquee Post Sleeve (sold separately) to the desired length and install over the post mount.

- 15** Apply PVC glue (not provided) to the post cap and install over the top of the post sleeve. To install a Marquee Straight or Stair Rail Kit to the Marquee Post Mount, use the 1-1/4" screws provided in the Marquee Straight Bracket kit. Refer to the Marquee Straight or Stair Rail Installation Instructions for details.



## APPENDIX A: MARQUEE RAIL POST MOUNT SYSTEM INSTALLATION REQUIREMENTS AND LIMITATIONS

- 1 Installation of this post mount system requires the use of Hilti HIT-RE 500-SD Adhesive Anchoring System as described in ICC-ES ESR-2322
- 2 Installation should only be in cracked or uncracked normal weight concrete with a specified compressive strength of 2,500 to 8,500 psi
- 3 Use only the fasteners included with Marquee Post Mount Kits during this installation
- 4 Installation condition must be dry
- 5 Boreholes must be drilled using a hammer drill with ANSI B212-1994 approved 7/16" carbide bit, and cleaned as described in ESR-2322
- 6 Special Inspection and Jobsite Quality Assurance must be provided in accordance with Sections 4.4 and 4.5 of ESR-2322
- 7 In service concrete temperature must be per Range A of Table 9 in ESR-2322. Max short term temperature = 110°F, Max long term temperature = 80°F
- 8 Applied torques to concrete anchors shall not exceed limits established by ESR-2322
- 9 Installation must be in structures assigned to Seismic Design Categories A and B
- 10 Installations are not subject to fatigue or shock loading.
- 11 For installations not consistent with the requirements and limitations noted above, calculations and details demonstrating compliance must be prepared by a licensed Professional Engineer and submitted to the building official having jurisdiction in that area. Otherwise, this installation could be improper and create a safety hazard.



## Building products for the professional.

Since 1944, building professionals and homeowners have looked to TAMKO for quality products built to perform. Our residential line also includes Heritage® Vintage® Premium Laminated Asphalt Shingles, Heritage® Woodgate™ Laminated Asphalt Shingles, MetalWorks® Steel Shingles, 3-tab shingles, EverGrain® Composite Decking and Railing, Elements® DockBoard, Tam-Rail® Railing System, waterproofing materials, ventilation products and asbestos-free cements and coatings. Each of these products delivers TAMKO quality, performance and durability.

For assistance, information regarding, or to receive a copy of TAMKO's Limited Warranty, contact us at 1-800-641-4691 or visit us online at [tamko.com](http://tamko.com).

