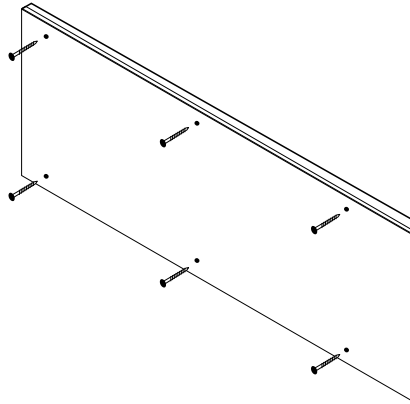




FASCIA INSTALL

FOR COMPLETE AND UP-TO-DATE INSTALLATION AND WARRANTY INFORMATION
PLEASE VISIT ARMADILLODECK.COM

ALL ENDS AND RIPPED/EXPOSED ARMADILLO BOARDS MUST BE SEALED USING ARMADILLO EXTREME MOISTURE REPELLENT END BOARD SEALER SO AS NOT TO VOID WARRANTY. PROOF OF PURCHASE IS REQUIRED.



- Pre-drill clearance holes starting from outer edge of fascia board, every 12" using a 3/16" drill bit. Screw down the fascia board using the pre-drilled holes. Use recommended trim head screws. The oversized hole will allow for expansion/contraction, if needed. **DO NOT FULLY TIGHTEN SCREW.**
- Drill screws in perpendicular, not at an angle. Do not overdrive, splitting may occur.
- Gapping: A 1/16" minimum board end gap is required. Failure to use proper gapping will void all warranties and liabilities.
- Fascia may be installed to cover the ends of boards or under the cantilevered deck surface.
- Armadillo fascia boards are not made to be used as deck boards.
- Please reference the screw guide at www.armadillodeck.com.
- Screw heads must be flush with the top of the fascia board. **DO NOT OVERDRIVE SCREWS.**