

IMPORTANT EVERGRAIN[®] AND EVERGRAIN[®] ENVISION[®] PRODUCT INFORMATION

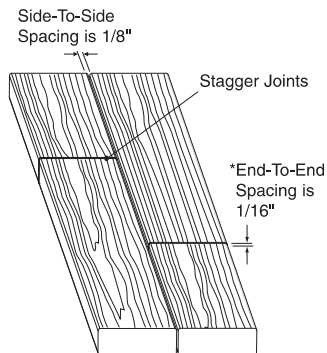
- EverGrain and EverGrain Envision ("Envision") is specially made with natural board to board color variation. **Layout and view all boards prior to cutting and fastening to ensure the desired look is achieved.**
- Make safety of the workplace the prime consideration. Always wear the proper protective clothing and safety equipment and adhere to all safety guidelines contained herein.
- As with all walking surfaces, decking products located in higher traffic areas may show wear earlier than other areas. Dragging furniture or other objects across the product will cause surface scratches.
- Discuss any desired material changes, including color matching, with the supplier prior to cutting or fastening the decking to the structure.
- The weathering process for EverGrain and Envision decking products will vary due to region, climate, rain, sunlight exposure, etc. Some variations in decking shade will appear due to weathering that will occur at the supplier's yard prior to shipment and due to different lots. For best results, use material from the same date code (stamped on the bottom of boards) whenever possible.
- The color of EverGrain and Envision decking products will usually weather to a lighter shade after several months of exposure to the environment. Color may vary across profiles.
- EverGrain and Envision decking have a more flexible feel than wood primarily during the heat of summer. This is a natural condition that will not affect the ability of the decking to perform as warranted. For a more rigid feel, reduce joist span spacing by 4".
- EverGrain and Envision decking and railing products must be installed in accordance with the installation instructions. Deviations from these instructions may result in unsatisfactory performance, create a potential safety hazard and may exclude coverage of your decking and/or railing material under the limited warranty.
- EverGrain and Envision decking products must never be applied directly to any solid surface (concrete, membranes, etc.) or in conjunction with systems where inadequate drainage or improper ventilation are found. There must be proper ventilation and adequate air circulation underneath the deck to promote the evaporation of any water or moisture.

• CUTTING & DRILLING

When working with EverGrain and Envision decking products, saw blades and router bits with carbide tips are recommended. Saw blades must be sharp. The use of dull saw blades will result in damage to the outer layer of Envision boards. For best results, use blades with two teeth per inch. To avoid clogging when drilling holes, frequently remove shavings by raising the drill bit out of the hole.

• SPACING

EverGrain and Envision decking and skirting products will expand and contract with changes in temperature. The amount of expansion and contraction will vary depending upon board size and temperature. Smaller boards will expand less and larger board sizes will expand more. When installing decking, side-to-side spacing must be a minimum of 1/8" between adjacent boards.



* End-to-end spacing between boards must be approximately 1/16" for every 20-degree increment of temperature difference between the temperature during installation and the maximum expected summertime temperature in your area. *Butt joints of boards must be staggered. A sister joist may be utilized at the butt joint to provide a greater fastening area.

* EXAMPLE: 80°F at time of installation and a maximum expected summertime temperature of 100°F equals an end-to-end spacing of 1/16".

• FASTENING

EverGrain and Envision decking products can be fastened by screws, EG 1-2-3 Hidden Fasteners, CAMO Marksman Pro Hidden Deck Fastening System or one of many compatible hidden fastening systems available. If using CAMO Marksman Pro Hidden Deck Fastening System, you must follow the manufacturer's instructions available at www.camofasteners.com. **Consult your building professional to ensure selection of fasteners is compatible with TAMKO's spacing and installation guidelines and also with your joist and substructure material.** The fastening decision is solely the responsibility of the contractor, installer or homeowner. **TAMKO does not recommend or endorse any specific fastening system.**

Like wood, pre-drilling the fastener holes near ends and edges of the boards is required to avoid splitting or cracking. Pre-drilling is also required in cold weather. When installing in cold temperatures, a greater force is required to drive fasteners into the decking material. When pre-drilling, we recommend that the drill bit diameter be the same diameter as the fastener shank. **Pre-drilling is required for all fasteners used with Envision unless EverGrain Envision Composite Deck Screws are used which only require pre-drilling at the ends.** Note: Fasteners must be spaced at a minimum of 3/4" from the end of the board and 1" from the edge of the board. 1/2" thick skirting must be fastened with 3 fasteners every 8" on a solid surface.

Decking must be fastened at every joint. Two fasteners are required at the end of the board. Make sure joists are level.

- **EverGrain ENVISION Composite Deck Screws** Color matched deck screws designed for use with Envision. **Note:** Pre-drilling only required on the ends of Envision deck boards.
- **WOOD/COMPOSITE SCREWS** Nominal 1" thick boards require a min. #8 - 2 1/2" or longer screw for fastening. Nominal 2" thick boards require a min. #8 - 3" or longer screw for fastening.
- **STRING LINE** The use of a string line to align fasteners/boards is recommended to enhance the appearance of your finished deck. **(Do not use a chalk line).**

- **FINISHING TOUCH** EverGrain deck material will swell over fastener heads. Gently hammer the material down to cover the fastener head. Pre-drill fastener holes and/or use a counter sink bit to minimize this from occurring.

Decking Installation Instructions

• LUMBER SIZES & DIMENSIONS

Nominal Size	Actual Size
1" x 6" x (12', 16' or 20') EverGrain and Envision	15/16" x 5-1/2"
2" x 6" x (16' or 20') EverGrain only	1-7/16" x 5-1/2"
8" EverGrain Skirting (12')	1/2" x 7-1/4"
12" EverGrain Skirting (12')	1/2" x 11-7/8"
12" Envision Skirting (12')	7/16" x 12"
All Tolerances +/- 1/16"	

• DECKING SPAN CHART

Maximum center-to-center spans with a minimum of three joists are shown below. EverGrain and Envision decking products must not be applied to a solid surface.

Center-To-Center Span

Board Size	Residential Decks & Light Duty Decks	Commercial Decks Boardwalks & Marinas	Residential Playground Equipment
1" x 6"	16"	12"	16" or less
2" x 6"	24"	20"	20" or less

Note: When diagonal (not to exceed 45°) installation pattern is used, subtract 4" from the maximum span.

EverGrain and Envision decking have a more flexible feel than wood primarily during the heat of summer. This is a natural condition that will not affect the ability of the decking to perform as warranted. For a more rigid feel, reduce joist span spacing by 4". Decking must not be cantilevered (overhang edge of deck) because structural support is required. EverGrain and Envision decking products are non-structural construction products. The decking products must not be used as a structural member; including joists, load bearing columns, stringers, or beams.

For best results, add an additional joist at the butt joints to increase stiffness.

• CLEANING

Semi-annual cleaning of your deck is required. Prompt cleaning of stains is required.

FOR DETAILED CLEANING INFORMATION:

Please visit the care and cleaning section on our website at evergrain.com.

After cleaning, flush the surface of decking using a garden hose or a power washer hose with a fan-tip nozzle at a pressure not exceeding 1,000 psi to remove any excess cleaning agents.

IMPORTANT NOTE: Do not sand the surface to remove stains.

• HANDLING

EverGrain and Envision decking products are heavier and more flexible than traditional wood products. Use care and do not attempt to lift or carry more decking than you can safely handle at one time. Proper clothing and safety glasses must be worn at all times when working with decking.

Store material on a rigid, smooth, flat surface. The unused material should be kept covered and supported every 24". If boards become bent, most can be bent back to their original shape during application.

Determination of the effectiveness, suitability, and safety of any application or use of EverGrain or Envision decking products is solely the responsibility of the homeowner, contractor, or installer. Building code regulations vary, and the homeowner, contractor or installer must consult local building and safety codes for specific requirements prior to the application of EverGrain or Envision decking products.

• LIMITED WARRANTY

TAMKO Building Products, Inc. provides a 20-year Limited Warranty for EverGrain and Envision Products installed in accordance with these written instructions. Envision is also provided with a 20-year Stain Resistance Limited Warranty. For a copy of the Limited Warranty see your EverGrain and Envision Dealer or visit evergrain.com. **Returns of or claims for decking product due to any condition that was clearly apparent prior to application/fastening of product, will not be considered after decking has been applied/fastened to deck structure, joist, etc.**

• BUILDING CODE APPROVED

EverGrain deck boards are ICC Approved (ESR-1625). Refer to code reports on evergrain.com for product details.

TAMKO Building Products, Inc.

P.O. Box 1404
Joplin, Missouri 64802-1404

- Technical Services: 800-641-4691
- Warranty Services: 800-441-7190
- Customer Service: 800-253-1401

These application instructions were current at the time of printing. To obtain a copy of the most current version of the application instructions, visit us online at evergrain.com or call us at 800-641-4691.

evergrain.com

