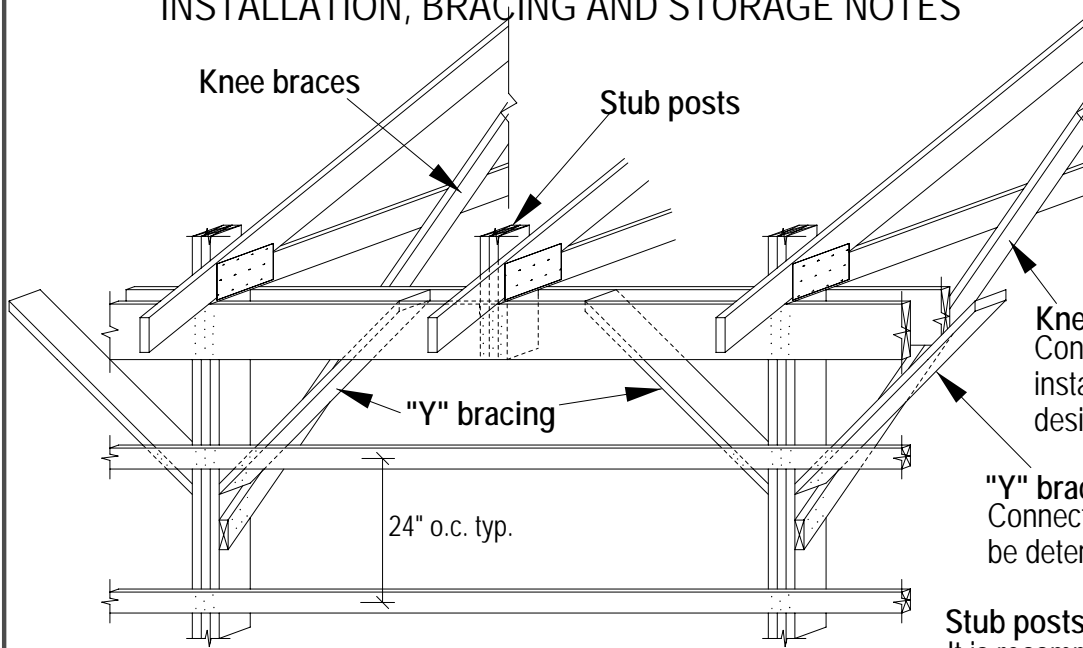


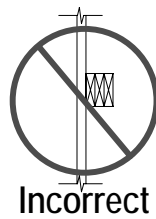
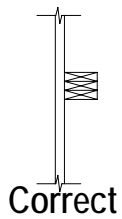
PERMA-STRAIGHT LAMINATED POSTS INSTALLATION, BRACING AND STORAGE NOTES



Knee braces
Contractor must inform truss supplier when installing KNEE BRACES. Special truss design considerations are required.

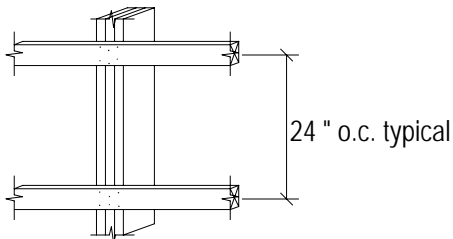
"Y" bracing
Connection of optional "Y" BRACING to be determined by others

Stub posts
It is recommended that post cut-offs be installed whenever a truss bears between full posts.



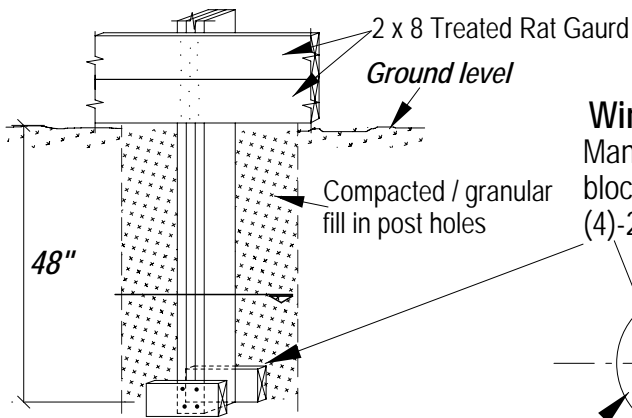
Installation

Study the orientation (direction) of the laminations. Posts must be set with laminations perpendicular to the 24" on center girts / purlins.



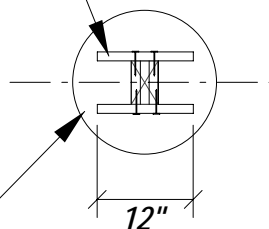
Girts / Purlins

All posts are engineered to have 2 x 4 girts attached at 24" on center perpendicular to the laminated face. It is recommended the builder consult with a local engineer or building official to ensure the use of proper installation practices for your area.



Wind Blocking

Manufacturer recommends installing treated (.60 retention) 2 x 6 x 12" KD wind blocking to the bottom of the post before setting into the ground. Attach using (4)-20d threaded, hardened galvanized nails in each face of each piece.

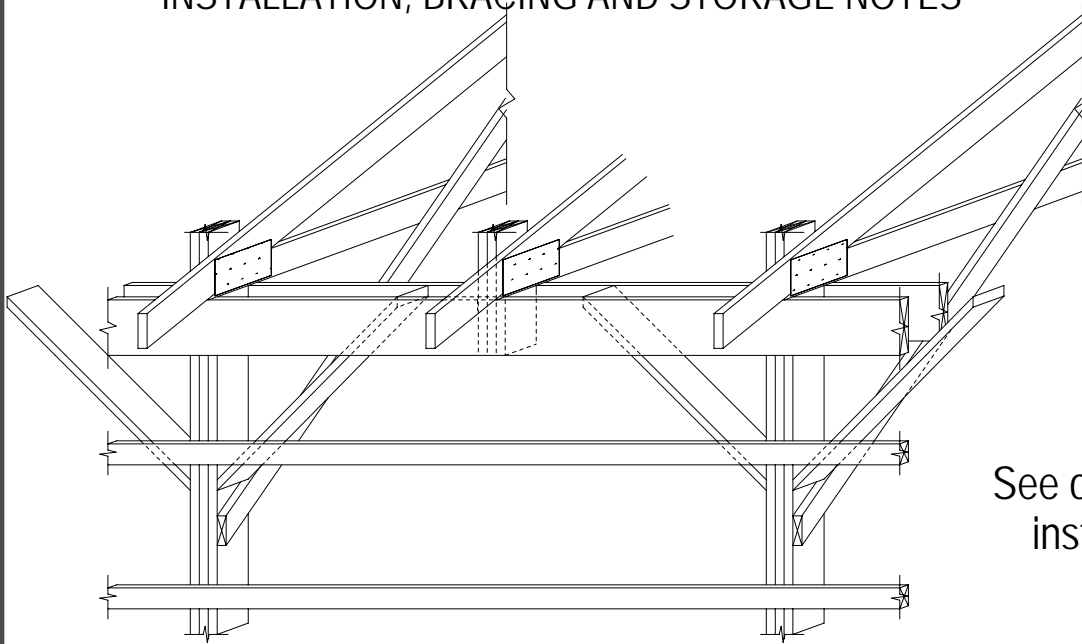


POST FTG DETAIL

WIND BLOCK DETAIL

Diameter and depth of concrete pads determined by soil conditions, building span, post spacing, design loads

PERMA-STRAIGHT LAMINATED POSTS INSTALLATION, BRACING AND STORAGE NOTES



See other side for important
installation information.

Post Storage

All posts must be stored in a secure, dry environment. Moisture from rain, snow or condensation can weaken the untreated portion of your posts. Posts are to be stored on equal sized runners or support boards at approximately 3'0" apart. It is important to keep posts covered, banded or stacked neatly and tight away from sunlight. Allow for airflow and do not cover with materials that may cause sweating or condensation.

Temporary Bracing

CONTRACTOR IS RESPONSIBLE FOR ALL TEMPORARY BRACING! In order to ensure proper installation and a "plumb" setting of posts, Stark Forest recommends a soil test, securely sinking posts 4'0" into the ground, as well as the installation of temporary bracing attached to both faces of the upper portion of the post and to the ground.

DISCLAIMER:

Stark Forest Products expressly disclaims any responsibility for damages, or builder errors, arising from the use of our building products. Our installation guide is designed to assist the licensed contractor or installer in the proper storage and installation of our products. Manufacturer assumes no responsibility for irregular settling of posts due to soil erosion or improper post erection or bracing.