



# GRANULAR

## 1.95 Sq - 36 Rolls

### ADVANTAGES

- Protects structure from water seepage caused by wind driven rain and ice dams
- Self-Sealing: Seals around nails, staples and screws
- Self-Adhering: Bonds directly to the roof substrate
- Skid Resistant: Granular surface for safe and easy installation

### LIMITATIONS

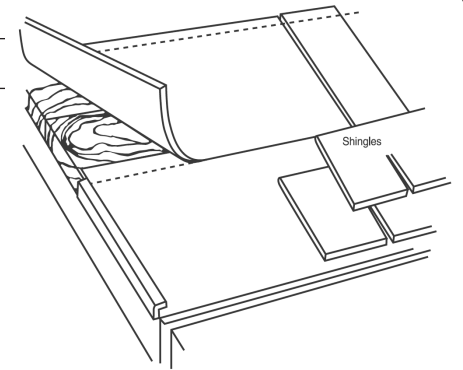
- Should not be applied over shingles or underlayment of any sort
- Should not be applied over damp surfaces
- Should not be left exposed to sunlight for more than 30 days (less if extreme heat conditions exist)
- TRI-SHIELD Granular is NOT a long term "Dry-in" product. Cover it as soon as practical with the permanent roof covering.
- **Caution!!** Surface can be slippery if wet or covered with frost

### Application Instructions

#### PREPARATION

Sweep roof deck to remove dirt and debris. The roof deck must be clean, smooth and free of moisture. If moisture is present it will limit or inhibit adhesion.

On re-roofing, remove all old material from roof deck area to be covered with TRI-SHIELD Ice & Water Granular. Replace any damaged sheathing.



#### WEATHER CONDITIONS

Apply when air temperature is over 40° F (5° C) but below 100° F (38° C). If applied in temperatures below 40° F (5°C), ALCO SHIELD is stiffer and will not fully seal until it is warmed. If applied in temperatures above 100° F (38° C), it may become difficult to remove the release poly backing. If this situation should occur, move product to shaded area until cool. Once cooled, the release poly backing can be easily removed.

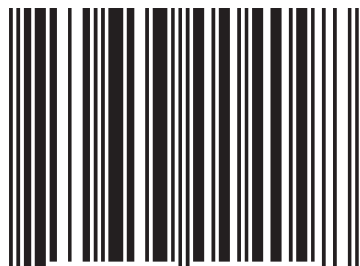
#### INSTALLATION

TRI-SHIELD Ice & Water is applied directly to the surface of the roof deck. For complete instructions call our **toll free number 800.323.0029** or visit our web site at **www.alco-products.com**.

**COLD WEATHER INSTALLATION:** Mechanically fasten membrane to position until it has bonded to the roof deck.

**FOR EXTERIOR USE ONLY**

**ASTM D-1970**



8 50653 00409 8



**Online: WWW.TSFPI.COM**