

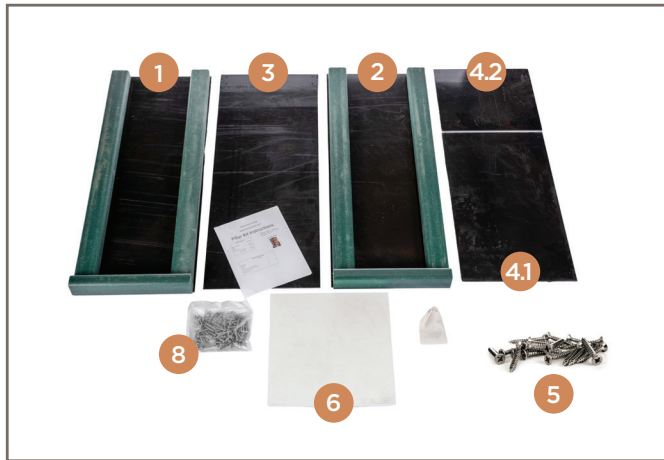
Pillar Kits Instructions

silverminestone.com



SILVERMINE™

The First Brand of Mortarless Stone Veneer



Pillar Cap



Pillar Stones



VOILA!

Pillar Kit Includes:

• Pillar Frame Kit

- 1 Right Side Panel
- 2 Left Side Panel
- 3 Back Side Panel
- 4.1 Upper Front Panel
- 4.2 Lower Front Panel
- 5 Stainless Steel Frame Assembly Screws
- 6 Top Frame Plate
- 8 Silvermine Stone Fasteners

• Pillar Cap

• Pre-Cut Pillar Stones

- 36" Pillar Kit3 boxes
- 48" Pillar Kit4 boxes

Tools Needed (not included)



Level



Drill



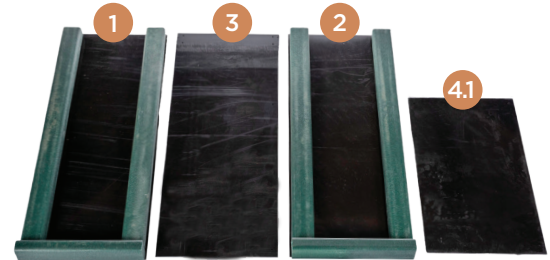
1/2" piece of wood



Construction Adhesive

Step 1 ASSEMBLE THE FRAME

NEEDED ITEMS FOR THIS STEP



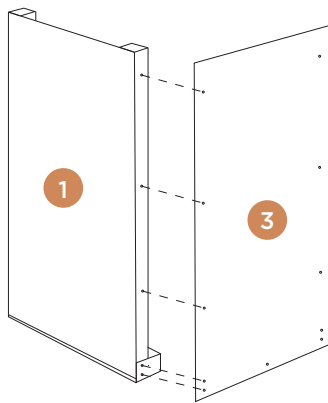
5 Stainless Steel Screws



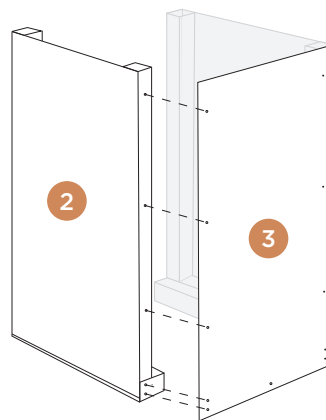
Frame Panels

Step 1 STEP-BY-STEP

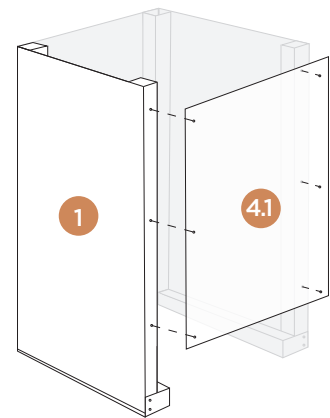
- A. ATTACH - Back Panel 3 to Right Side Panel 1 using (5) stainless steel screws
- B. ATTACH - Left Side Panel 2 to Back Panel 3 using (5) stainless steel screws
- C. ATTACH - Long Front Side Panel 4.1 to the **TOP** of Left Side Panel 2 using (3) stainless steel screws
- D. ATTACH - Long Front Side Panel 4.1 to the **TOP** of Right Side Panel 1 using (3) stainless steel screw
- E. Insert top plate 6 onto assembled frame sides



Step 1 - A



Step 1 - B



Step 1 - C & D

Step 2 MOUNTING THE FRAME

NEEDED ITEMS FOR THIS STEP



Level
(not included)



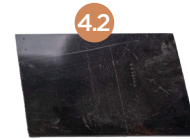
Drill
(not included)

Mounting Hardware for Pillar
Frame Base (not included)
See Local Building Codes

5 Stainless Steel Screws

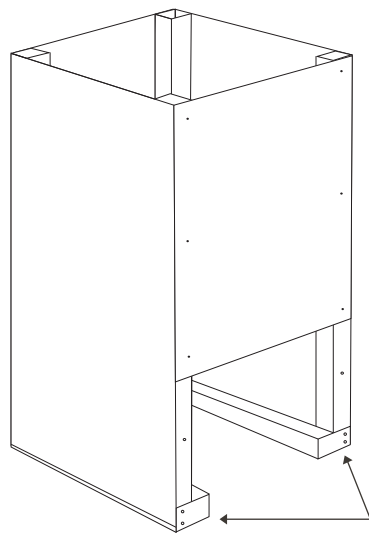


Frame Panel

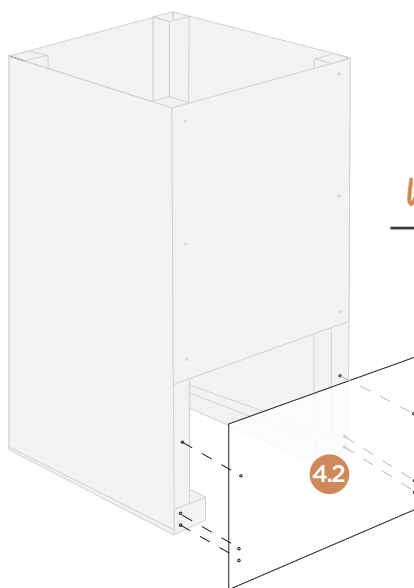


Step 2 STEP-BY-STEP

- A. Set assembled pillar frame in place with the 2x4 base blocks on the bottom
- B. Use Level (not included) to ensure frame is plumb - Shim if necessary
- C. Attach mounting blocks to your base with appropriate mounting hardware (not included) (See local building codes)
- D. Attached short, front panel 4.2 to pillar frame using stainless steel screws to fully enclose it



2x4 Base Blocks



Step 2 - D

VOILA!



Step 3 ATTACHING THE FIRST COURSE OF STONE



NEEDED ITEMS FOR THIS STEP



Level
(not included)



Drill
(not included)



1/2" Piece of Wood
(not included)

8 Silvermine Stone Fasteners



Pre-Cut Stones



Step 3 STEP-BY-STEP

A. Use a temporary support (1/2" wood piece or similar material - not included) to support first course of pillar stone and keep it level with the bottom edge of the pillar frame.

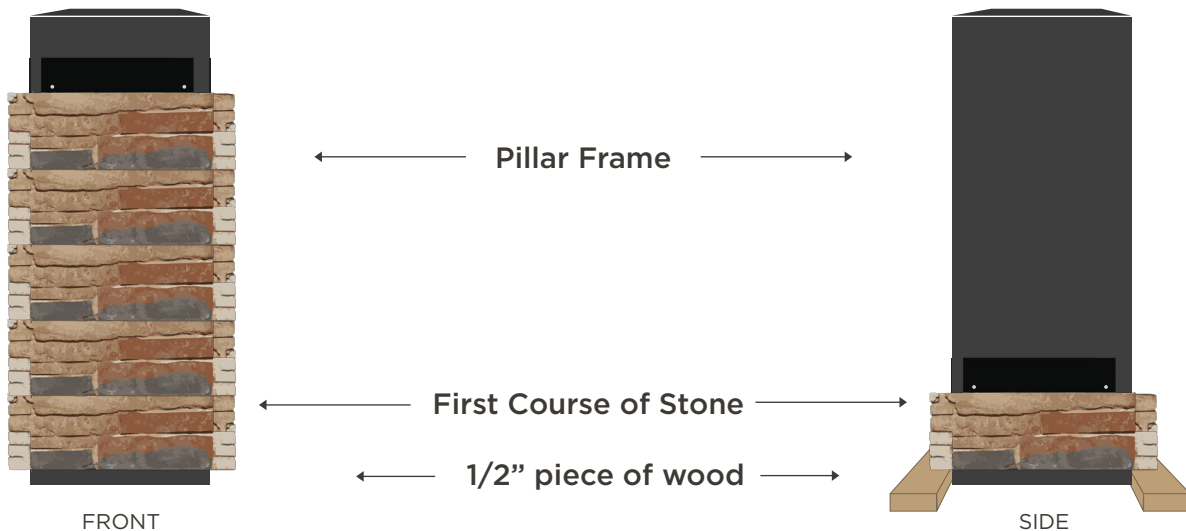
B. Attach Pillar Stone to Pillar Frame with Silvermine Stone Fastener

- Use 2 screws per panel
- Place screw 3/4" - 1" above pillar stone and 1" from the edge, into the metal flashing.
- Use Level



C. Repeat Step 3B for the remaining bottom course of pillar stones

TIP: Be sure to use your level! The first row sets the stage for the remaining stone layers - so be diligent on making sure this row is level.



Step 4 BUILDING UP YOUR STONE PILLAR

NEEDED ITEMS FOR THIS STEP



Level
(not included)



Drill
(not included)



Pillar Cap

8

Silvermine Stone
Fasteners



Pre-Cut
Stones



Step 4 STEP-BY-STEP

A. Remove temporary support

B. Repeat Step 3B for each course of stone*

*Make sure that each stone is firmly in contact with the stone below it

When ONE COURSE of stone remains to be adhered...

C. Bend metal flashing horizontally

D. Install the last course of pillar stone by attaching the (now horizontal) flashing to the top of the pillar frame

NOTE: Each piece of flashing should have 2 screws - but as panels overlap, it is okay to use one screw to hold multiple pieces

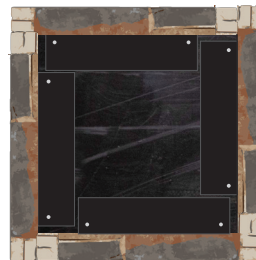
E. Using a bead of construction adhesive (not included), install the pillar cap to the top of your built pillar structure



One remaining
course of stone



Bending the Flashing



Top Down View



Step 4 - E

Step 4 - C & D